

# 中联重科

# ZMC300G Mobile Cone Crusher

最大给料粒度： 210 mm

处理能力： 320 t/h

装机功率： 321 kW



**ZOOMLION**

颜色组合已取得注册商标保护



# ZMC300G 履带移动圆锥式破碎站

## 产品简介

### Product Introduction

Hydraulic automatic adjustment of discharge port of cone crushing can easily ensure the accurate size of products.

### ZMC 300G

The return screen of mobile cone crusher adopts high-power vibration motor, lightweight design and large tilt angle arrangement, the vibration amplitude generated by the return is large, so the processing capacity is larger.

ZCF 300

320t/h

210mm

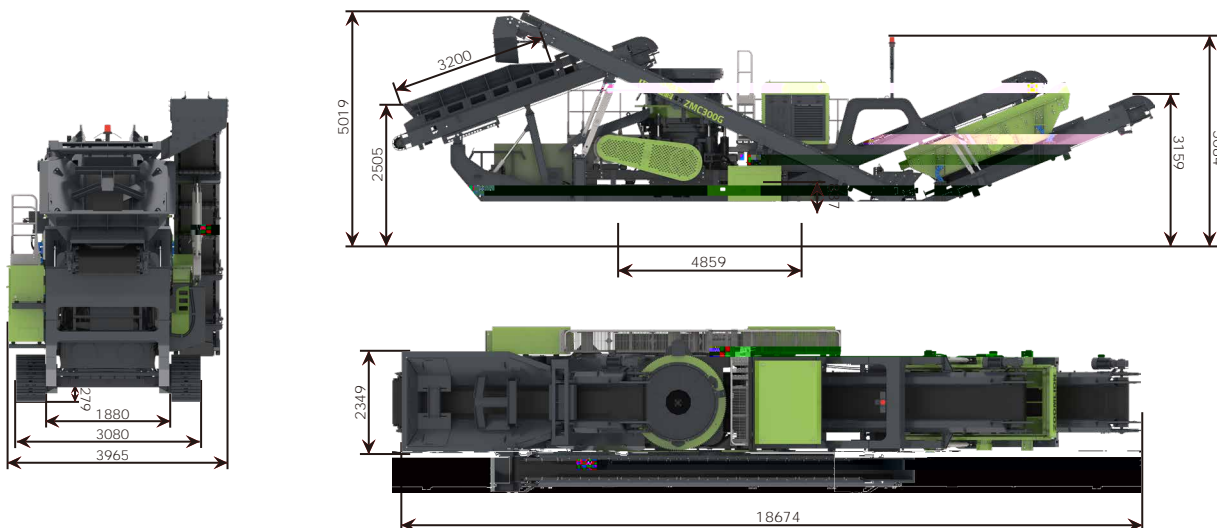
The max capacity of ZMC300G Mobile Cone Crusher, made by ZOOMLION, is 320t/h, and the max feeding grain size is 210mm.

The core components are provided by industry-leading manufacturers which guarantees the reliability of ZMC300G mobile cone crusher.

## 整车尺寸参数

mm

### Vehicle Size Marking



## 整车性能参数

### Vehicle Performance Marking

Main Parameters		Unit	Value	
Capacity		t/h	115-320	
Max. Feeding Size		mm	210	
x	Main Conveyor Width x Length	mm	B1000x12500	
Discharge Height		mm	3300	
Crushing Device Power		kW	250	
Engine Power		kW	103	
x	x	Transport Size Width x Length x Height	m	18.05x3.72x3.97
Total Weight		t	55	
Power Type		\		

380- 450V 50Hz

ZMJ116G ZMS2065G

ZOOMLION

中联重科股份有限公司  
ZOOMLION HEAVY INDUSTRY SCIENCE & TECHNOLOGY CO.,LTD.

Add: Zoomlion Wangcheng Industrial Park, Wangcheng District, Changsha City, Hunan Province, China  
4008000157 0731-88059233

